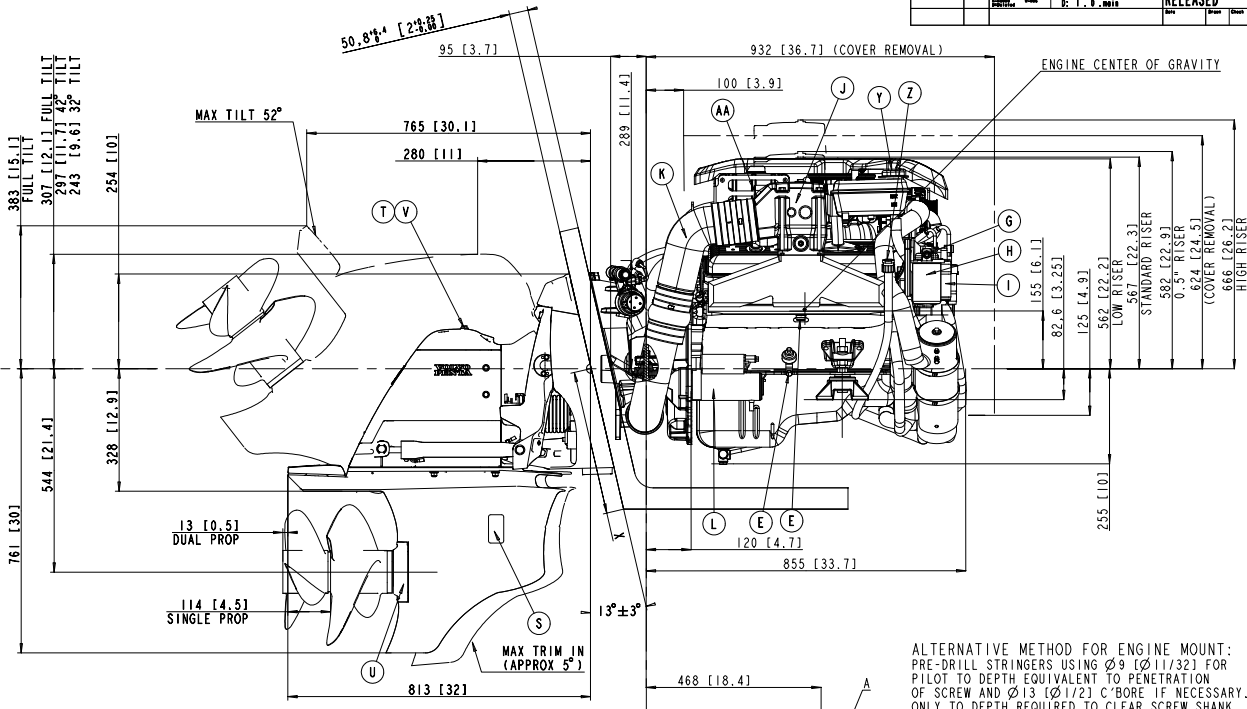
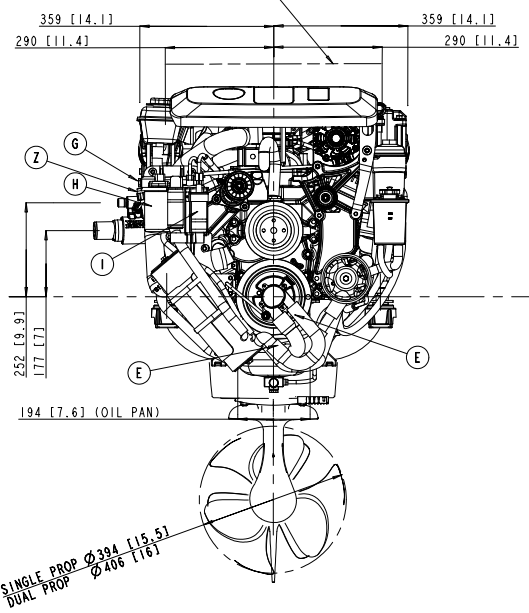
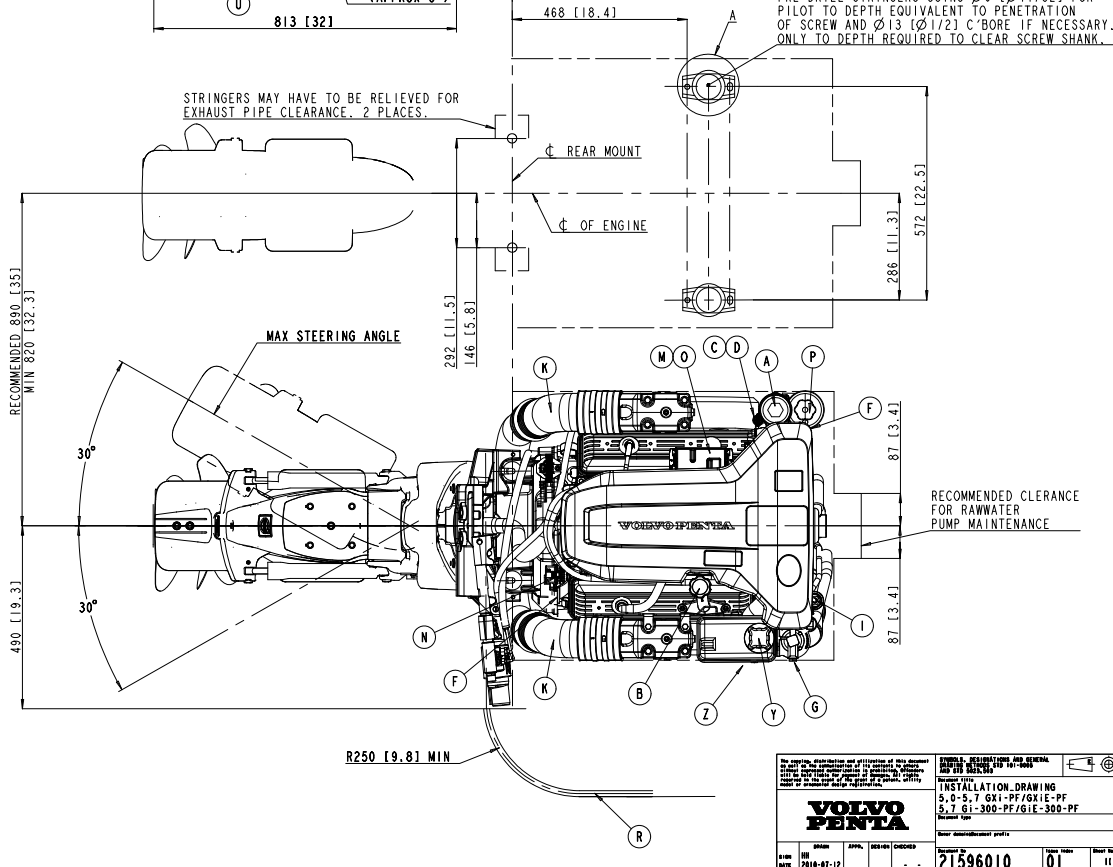


RECOMMENDED CLEARANCE FOR COVER REMOVAL AND FUSE PANEL MAINTENANCE

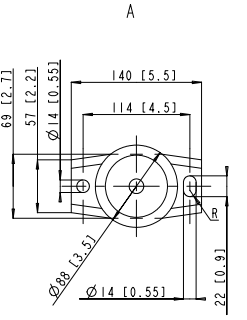


ALTERNATIVE METHOD FOR ENGINE MOUNT:
PRE-DRILL STRINGERS USING Ø9 [Ø11/32] FOR PILOT TO DEPTH EQUIVALENT TO PENETRATION OF SCREW AND Ø13 [Ø1/2] C-BORE IF NECESSARY. ONLY TO DEPTH REQUIRED TO CLEAR SCREW SHANK.

STRINGERS MAY HAVE TO BE RELIEVED FOR EXHAUST PIPE CLEARANCE. 2 PLACES.



LETTER	NAME
A	OIL FILTER, ENGINE
B	OIL FILL, ENGINE
C	OIL DRAIN, ENGINE
D	OIL DIPSTICK, ENGINE
E	WATER DRAIN
F	LIFTING DEVICE
G	FUEL CONNECTION, I.D. 9,5 [3/8] NPT OR 6,35 [1/4] NPT
H	FUEL FILTER
I	ELECTRICAL FUEL PUMP
J	THROTTLE CABLE SINGLE
K	WATER COOLED EXHAUST PIPE FOR HOSE I.D. 98,4 [3 7/8"]
L	STARTER MOTOR
M	FUSE PANEL
N	ELECTRICAL CONNECTION ENGINE - INSTRUMENT PANEL
O	CIRCUIT BREAKER FOR TRIM PUMP
P	OIL FILL, POWER STEERING
Q	
R	STEERING CABLE
S	WATER INTAKE
T	OIL FILL, OUTBOARD UNIT
U	OIL DRAIN, OUTBOARD UNIT
V	OIL DIPSTICK, OUTBOARD UNIT
W	
X	SEE INSTALATION INSTRUCTIONS
Y	COOLANT FILL AND LEVEL CHECK
Z	ENGINE FLUSH
AA	EXHAUST OVERHEAT SWITCH ENGINE ALARM IN SMALL PARTS KIT
AB	
AC	
AD	
AE	
AF	
AG	
AH	
AI	
AJ	
AK	



VOLVO PENTA
 INSTALLATION DRAWING
 5.0-5.7 GXI-PF/GXIE-PF
 5.7-6.1-300-PF/GIE-300-PF
 21596010 01