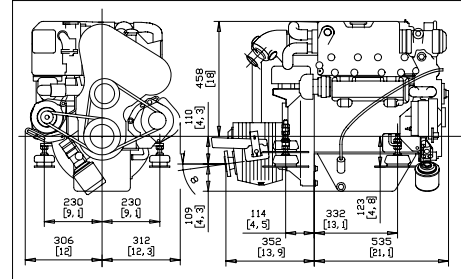
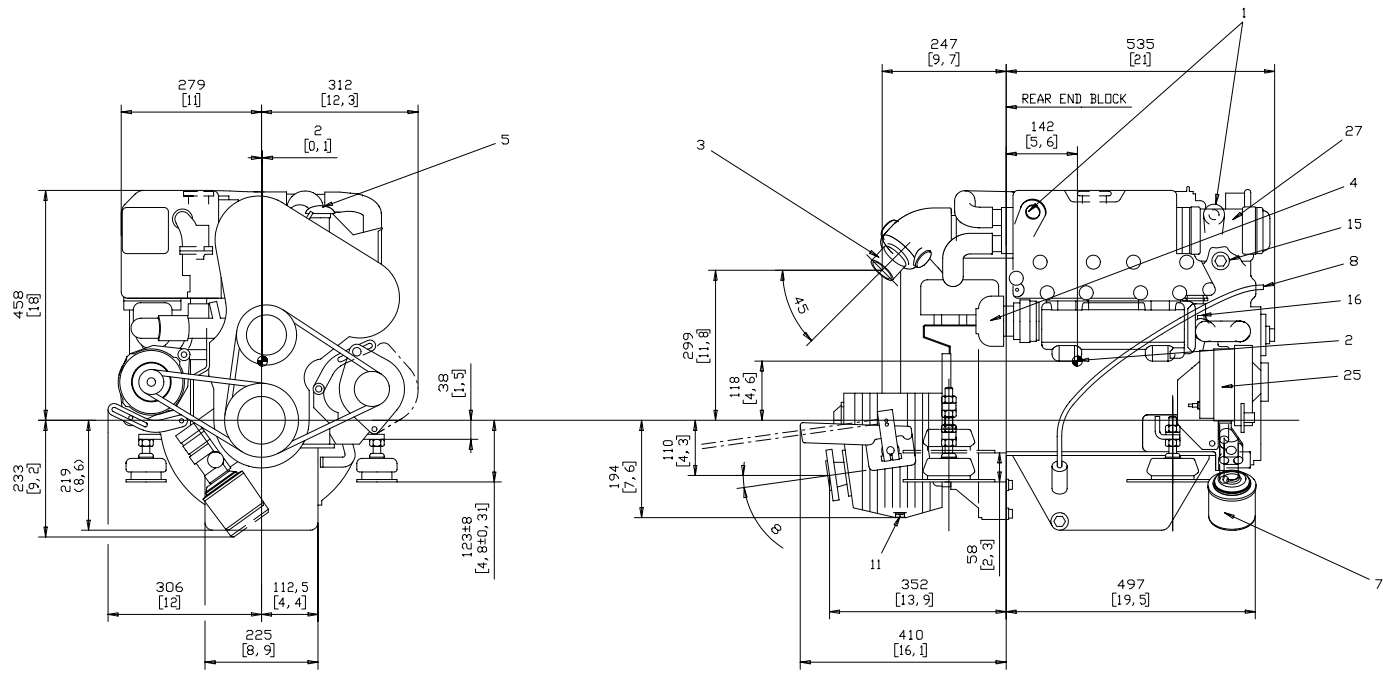
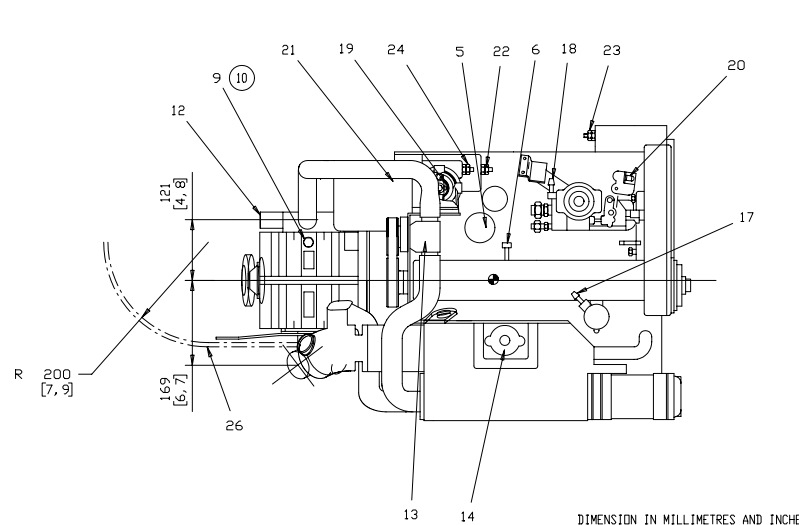
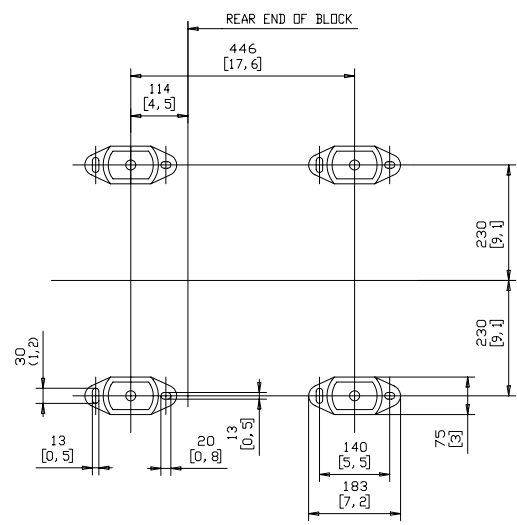


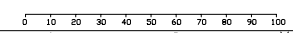
SCALE 1:10



- ① LIFTING DEVICE
- ② CENTRE OF GRAVITY
- ③ EXHAUST ELBOW FOR HOSE I. D 57(2,25)
- ④ AIR FILTER
- ⑤ OIL FILLING
- ⑥ OIL DIPSTICK ENGINE
- ⑦ OIL FILTER
- ⑧ OIL DRAIN (WITH PUMP) ENGINE
- ⑨ OIL DIPSTICK REVERSE GEAR
- ⑩ OIL FILLER CAP REVERSE GEAR
- ⑪ OIL DRAIN REVERSE GEAR
- ⑫ WATER INLET FOR HOSE I. D 28(1,1)
- ⑬ SEA WATER PUMP
- ⑭ WATER FILLER CAP FRESH WATER
- ⑮ HEATWATEROUTLET
- ⑯ HEATWATERINLET
- ⑰ FUEL CONNECTION FOR HOSE I. D 9(3/8)
- ⑱ FUEL RETURN CONNECTION FOR HOSE I. D 9(3/8)
- ⑲ FUEL FILTER
- ⑳ SPEED CONTROL LEVER
- ㉑ CONNECTING BOX FOR EXTENSION CABLE
- ㉒ BATTERY MINUS (-) CONNECTION
- ㉓ PLUS (+) CONNECTION FOR CHARGING DISTRIBUTOR
- ㉔ STARTER BATTERY PLUS (+) CONNECTION
- ㉕ ALTERNATOR (OPTION)
- ㉖ CONTROL CABLE
- ㉗ OILCOOLER ONLY ON MD22P



DIMENSION IN MILLIMETRES AND INCHES



3590472		VOLVO PENTA	
INSTALLATION DRAWING			
SCALE	1:5	TYPE	MD22P/ L- MS25A
BOOM	MR	REV. NO.	000210
DESIGNED		DRAWING NO.	3590472
CHECKED		DATE	
APPROVED		ISSUE	01