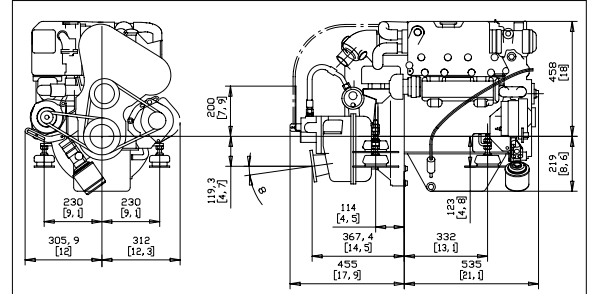
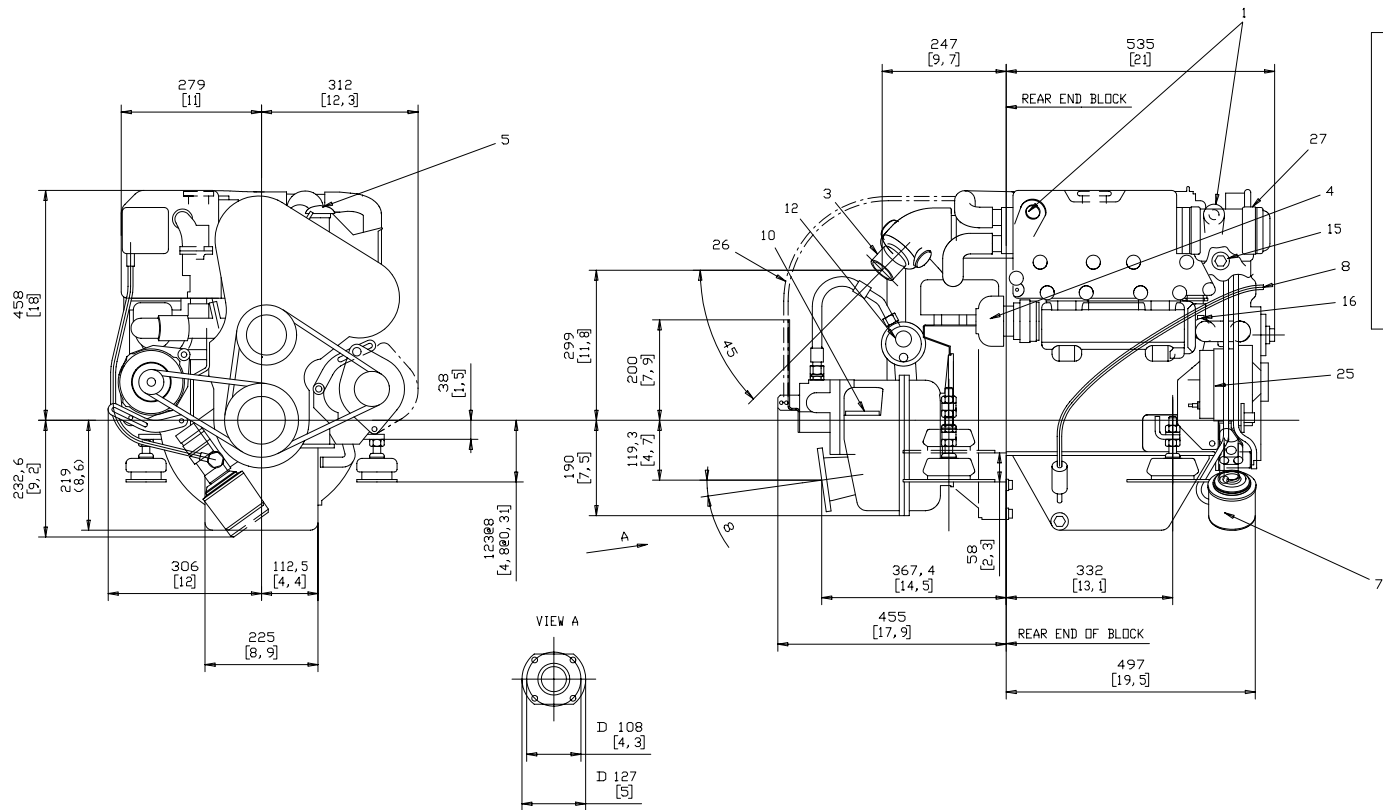
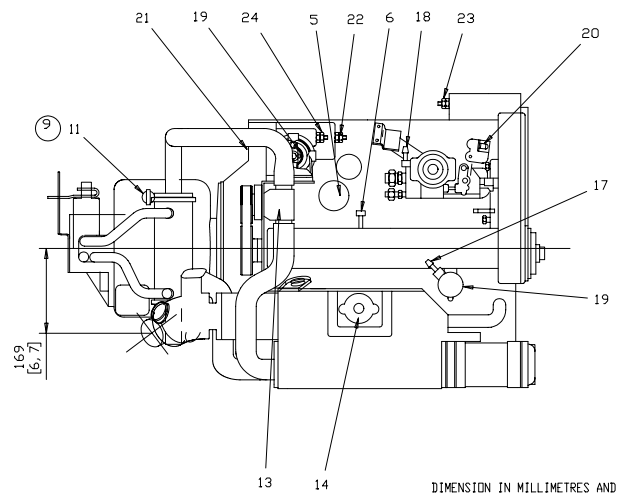
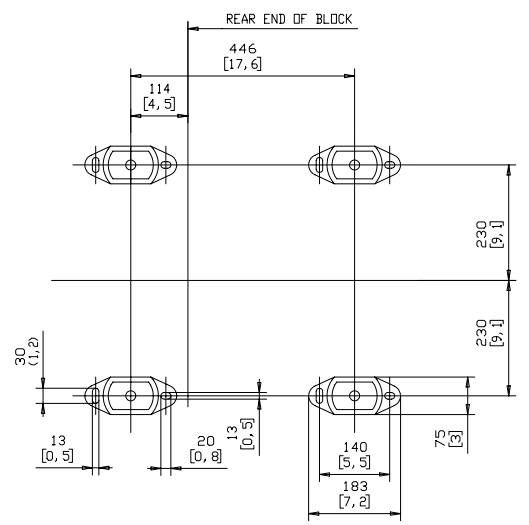
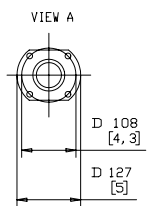


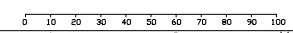
SCALE 1:10



- 1 LIFTING DEVICE
- 2 CENTRE OF GRAVITY
- 3 EXHAUST ELBOW FOR HOSE I. D 57(2,25)
- 4 AIR FILTER
- 5 OIL FILLING
- 6 OIL DIPSTICK ENGINE
- 7 OIL FILTER
- 8 OIL DRAIN (WITH PUMP) ENGINE
- 9 OIL DIPSTICK REVERSE GEAR
- 10 OIL FILLER CAP REVERSE GEAR
- 11 OIL DRAIN REVERSE GEAR
- 12 WATER INLET FOR HOSE I. D 28(1,1)
- 13 SEA WATER PUMP
- 14 WATER FILLER CAP FRESH WATER
- 15 HEAT WATER OUTLET
- 16 HEAT WATER INLET
- 17 FUEL CONNECTION FOR HOSE I. D 9(3/8)
- 18 FUEL RETURN CONNECTION FOR HOSE I. D 9(3/8)
- 19 FUEL FILTER
- 20 SPEED CONTROL LEVER
- 21 CONNECTING BOX FOR EXTENSION CABLE
- 22 BATTERY MINUS (-) CONNECTION
- 23 PLUS (+) CONNECTION FOR CHARGING DISTRIBUTOR
- 24 STARTER BATTERY PLUS (+) CONNECTION
- 25 ALTERNATOR (OPTION)
- 26 CONTROL CABLE
- 27 OILCOOLER ONLY ON MD22P



DIMENSION IN MILLIMETRES AND INCHES



3590332		VOLVO PENTA	
INSTALLATION DRAWING			
SCALE	1:5	TYPE	MD22P/ L- HS25A
DESIGNED	BM	980323	REV. NO.
CHECKED	MR	980330	DRAWING NO.
APPROVED	TK	980330	3590332
			01