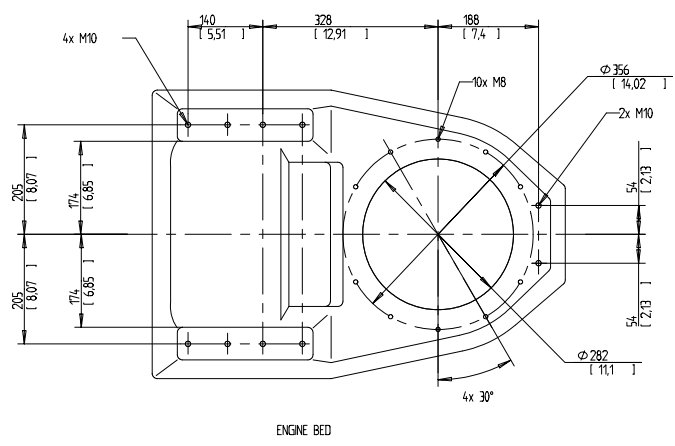
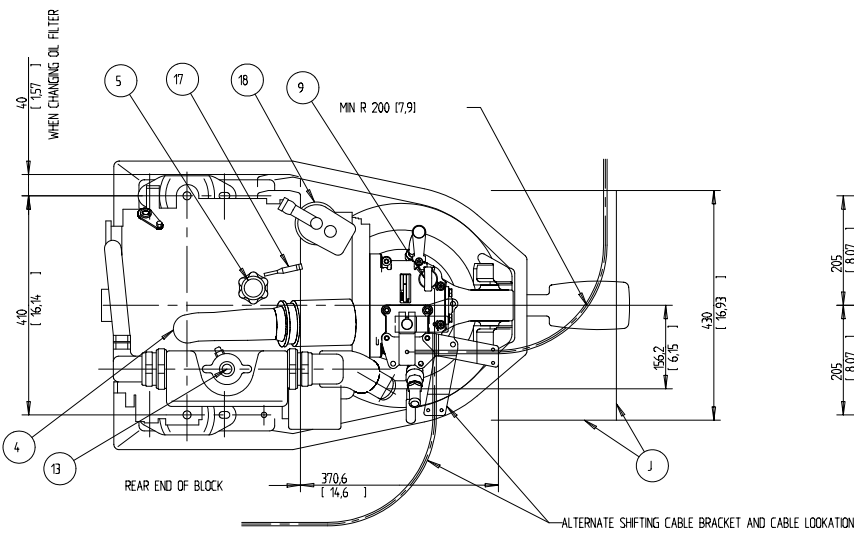


- J MIN. SPACE WHEN MOUNTING DRIVE UNIT
- K LOWER EDGE TO BE CUT ACC. TO HULL FORM
- Q REF. POINT. SEE INSTALLATION HANDBOOK
- 1 LIFTING DEVICE
- 2 CENTRE OF GRAVITY
- 3 EXHAUST ELBOW FOR HOSE ID 44 [1.75]
- 4 AIR FILTER
- 5 OIL FILLING, ENGINE
- 6 OIL DIPSTICK, ENGINE
- 7 OIL FILTER, ENGINE
- 8 OIL DRAIN (WITH PUMP) ENGINE Ø10
- 9 OIL DIPSTICK / OIL FILL CAP, DRIVE
- 10 OIL DRAIN, DRIVE
- 11 WATER INLET, DRIVE
- 12 SEA WATER PUMP
- 13 WATER FILLER CAP FRESH WATER
- 14 HEAT WATER OUTLET
- 15 HEAT WATER INLET
- 16 FUEL CONNECTION FOR HOSE ID 9(3/8)
- 17 FUEL RETURN CONNECTION FOR HOSE ID 9(3/8)
- 18 FUEL FILTER
- 19 SPEED CONTROL LEVER
- 20 CONNECTING BOX FOR EXTENSION CABLE
- 21 BATTERY MINUS (-) CONNECTION
- 22 PLUS (+) CONNECTION FOR CHARGING DISTRIBUTOR
- 23 STARTER BATTERY PLUS (+) CONNECTION



DIMENSION IN MILLIMETRES AND INCHES WITHIN []

SCALE 15

The copies, alterations and other use of this document are prohibited without the written permission of the Volvo Penta Group. All rights reserved.	SYMBOLS, DESIGNATIONS AND GENERAL DRAWING METHODS STD 9203501
	INSTALLATION DRAWING MD2020-D / 130S
	DIMENSIONS DRAWING DATE: 1988.09.15
	3591338

VOLVO PENTA