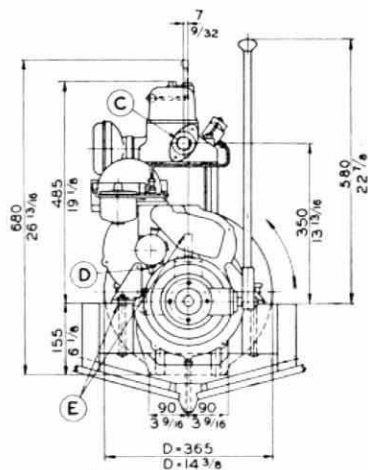
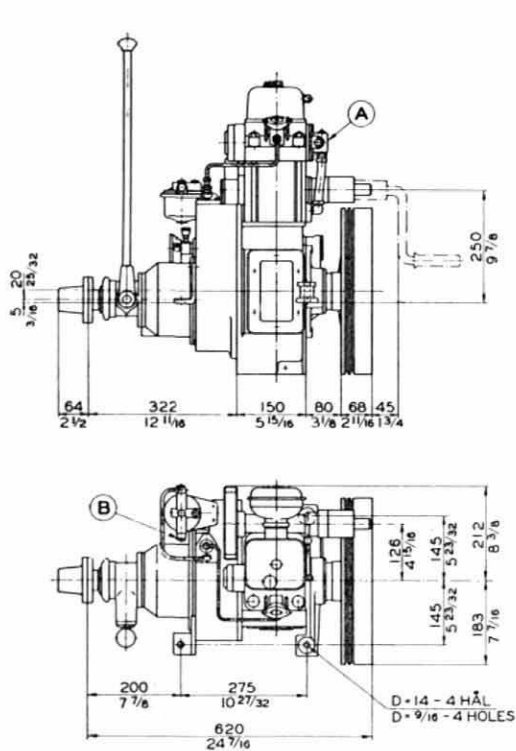


# VOLVO PENTA MARINE DIESEL ENGINE TYPE MD 1

## Dimension drawings



- A. Water outlet
- B. Fuel connection
- C. Exhaust manifold R 1 1/4"
- D. Water inlet
- E. Alternative positions

