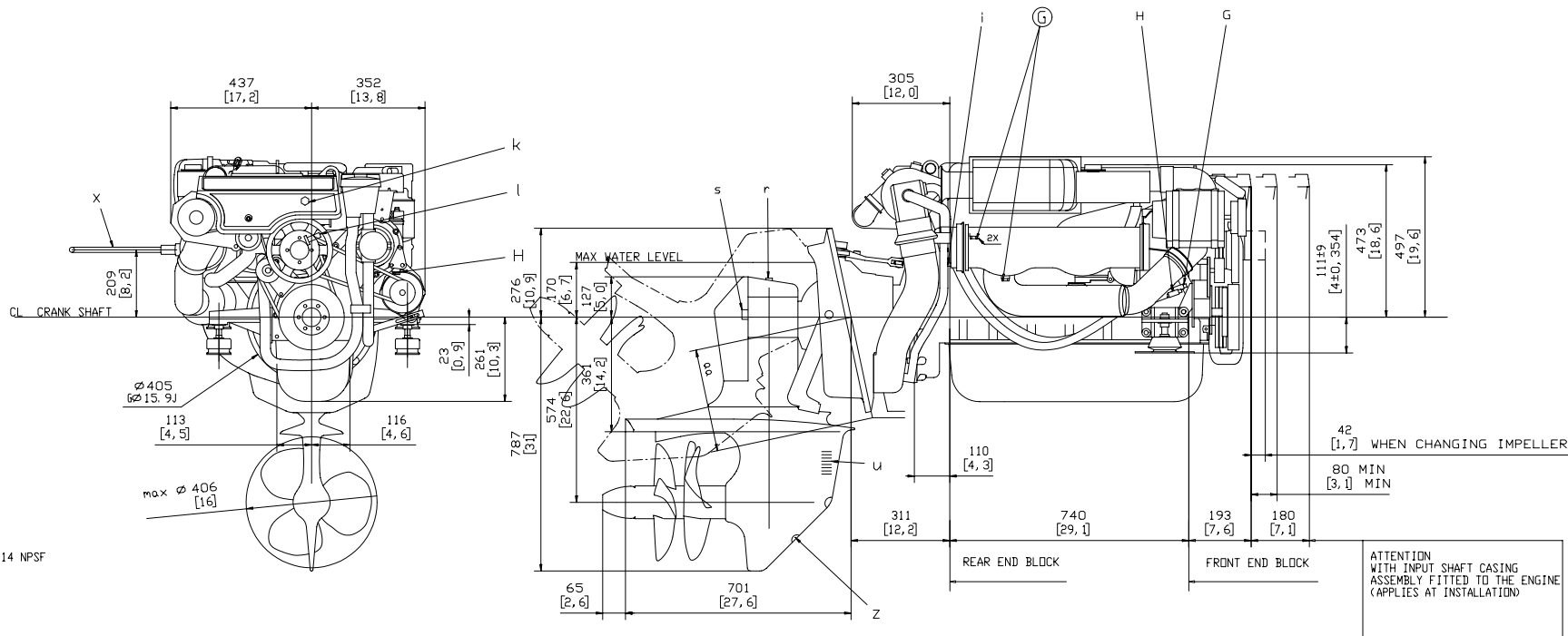
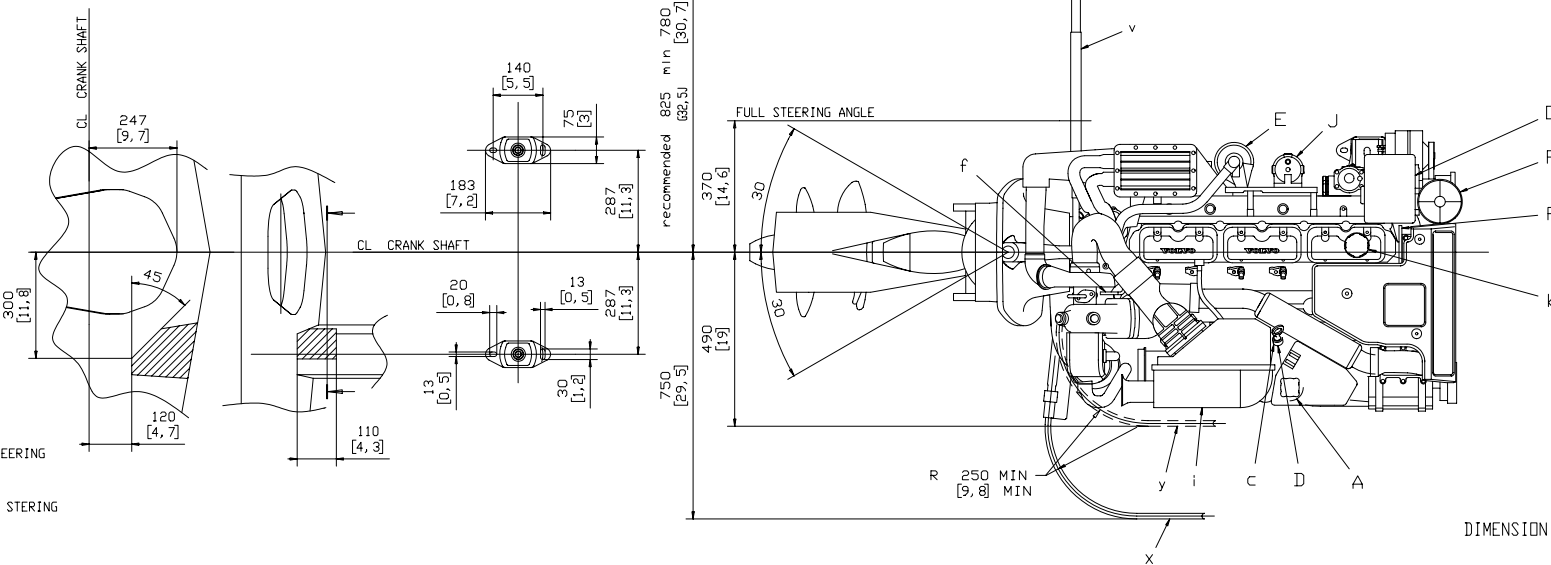


- (A) WATER FILLER CAP FRESH WATER
- (B) OIL FILLER CAP, ENGINE
- (C) OIL DIP STICK, ENGINE
- (D) OIL DRAIN (WITH PUMP), ENGINE
- (E) OIL FILTER
- (F) LIFTING DEVICE
- (G) WATER DRAIN, FRESH WATER
- (H) WATER DRAIN, SEA WATER
- (I) AIR FILTER
- (J) FUEL FILTER
- (K) HEAT WATER OUTLET COMPRESSION SIDE 1/2-14 NPSF
- (L) HEAT WATER OUTLET LOW SIDE 1/2-14 NPSF



- (M) CONNECTION BOX
- (N) FILTER SEA WATER
- (O) OIL DIP STICK OUTBOARD DRIVE
- (P) DLJEPJ FYLLNING DREV OIL FILTER OUTBOARD DRIVE
- (Q) WATER INLET
- (R) TIE BAR 1140561
- (S) STEERING CABLE FOR POWER STEERING
- (T) STEERING CABLE WITHOUT POWER STEERING
- (U) OIL DRAIN OUTBOARD DRIVE



AA SEE DWG 7733849

DIMENSION IN MILLIMETRES AND INCHES

VOLVO PENTA		TYPE		SCALE	
DIMENSION DWG				1:1	
KAD 43/HP				1:1	
DATE				DRAWN	
NO. 3590299				NO. 01	
REV. 1				DATE	
REV. 2				DATE	
REV. 3				DATE	
REV. 4				DATE	
REV. 5				DATE	

