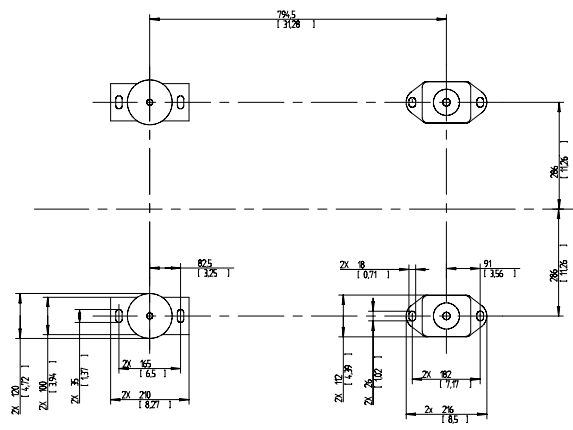
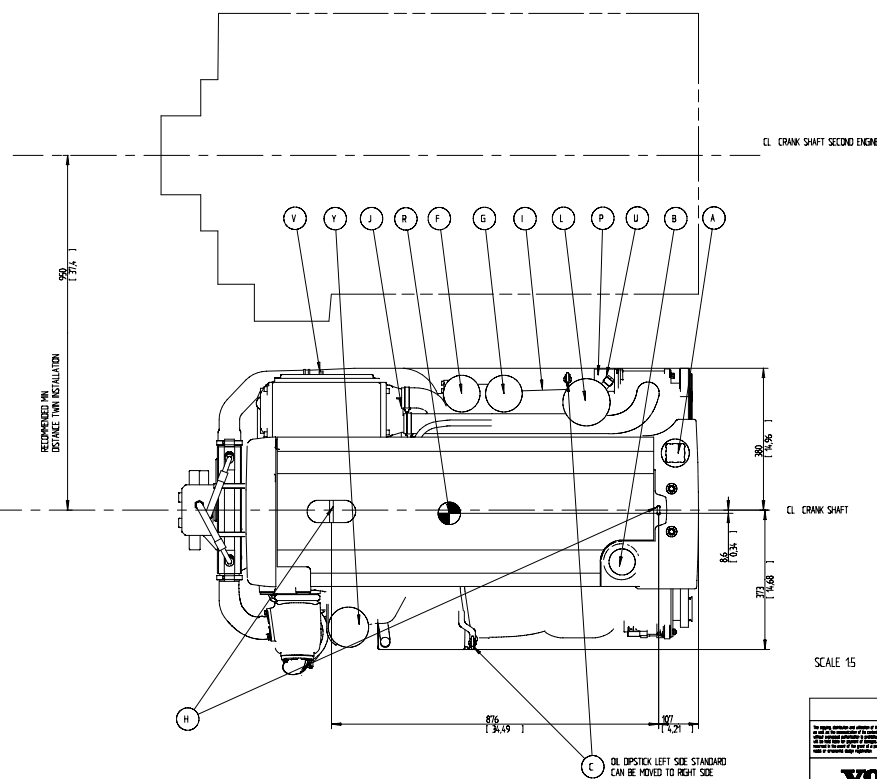
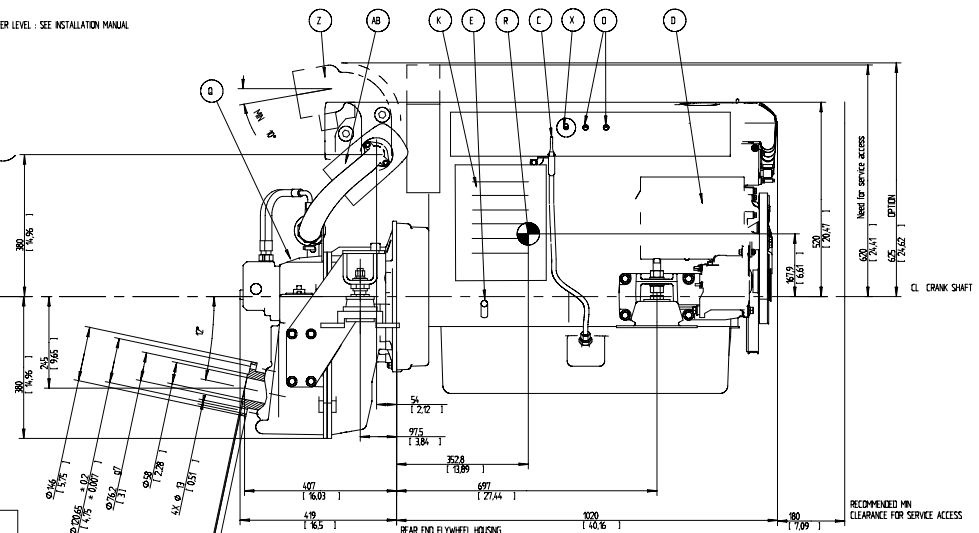


- (A) WATER FILLER CAP, FRESH WATER
- (B) OIL FILLER CAP, ENGINE
- (C) OIL DIPSTICK, ENGINE LEFT OR RIGHT SIDE MOUNTED
- (D) ENGINE CONTROL UNIT
- (E) OIL DRAIN PIPE, ENGINE Ø125
- (F) OIL FILTER MAN
- (G) OIL FILTER BYPASS
- (H) LIFTING EYE
- (J) WATER DRAIN, FRESH WATER
- (L) WATER DRAIN, SEA WATER
- (K) AIR FILTER
- (I) FUEL FILTER
- (M) HOT WATER OUTLET Ø16
- (N) HOT WATER INLET Ø16
- (O) ELECTRICAL FUSES ONLY 24V
- (P) SEA WATER INLET Ø90
- (Q) OIL DIPSTICK REVERSE GEAR
- (R) CENTRE OF GRAVITY
- (T) OIL DRAIN REVERSE GEAR
- (U) FUEL INLET CONNECTION
- (V) FUEL RETURN TO TANK
- (X) ENGINE STOP
- (Y) CRANKCASE VENTILATION
- (Z) EXHAUST RISER Ø27 (S1) Ø37(D)
- (AA) SEA WATER PUMP
- (AB) EXHAUST ELBOW Ø27 (S1)
- (AC) EXTRA ALTERNATOR

MAX WATER LEVEL : SEE INSTALLATION MANUAL



SCALE 1:5

VOLVO PENTA <small>Volvo Penta AB, PO Box 200, S-402 18 Gothenburg, Sweden Volvo Penta USA, Inc., 8500 S. Bascom Ave., Suite 200, San Jose, CA 95128, USA Volvo Penta (UK) Ltd, The Mill Lane, Worcester, Gloucestershire, WR1 1TH, UK</small>		<small>SYMBOLS: ISO 2556</small> ENGINE DIMENSIONS D6 / H580V Date: Scale:	02 10
3591357-02		3591357	02