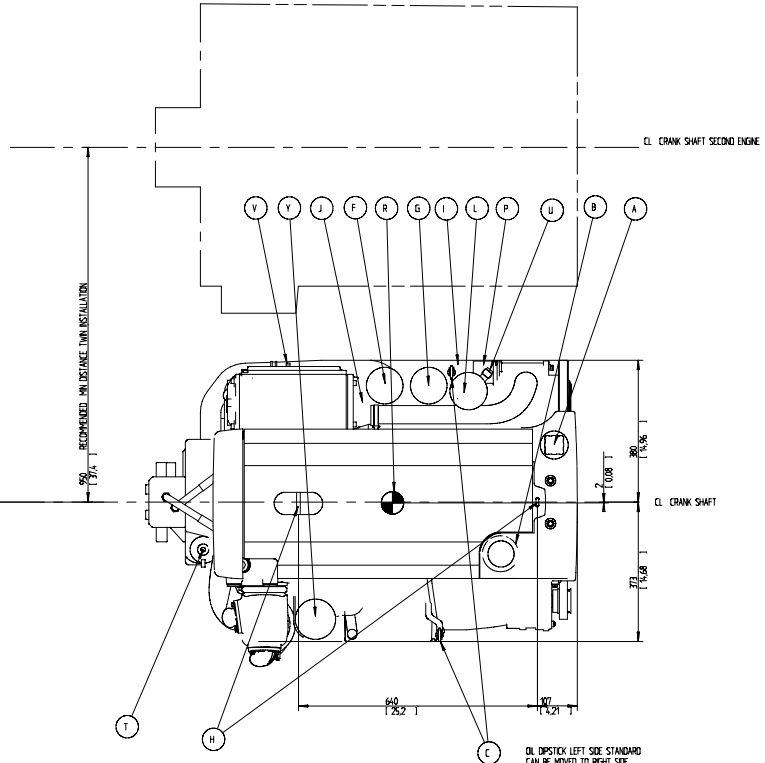
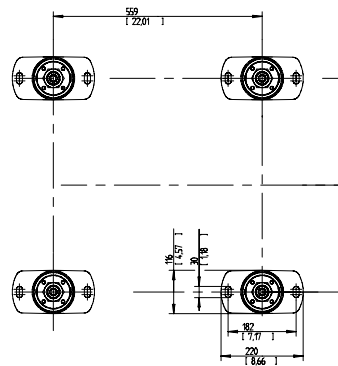
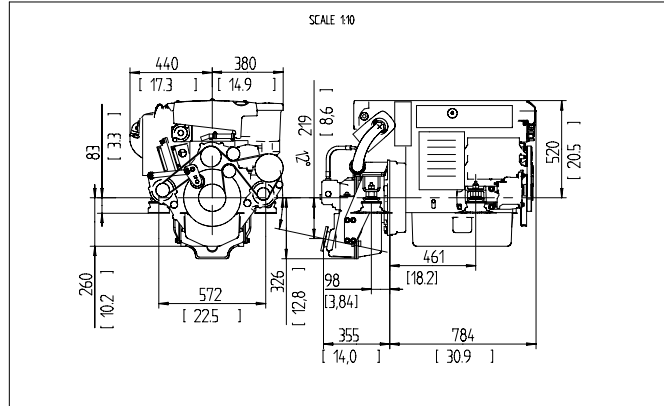
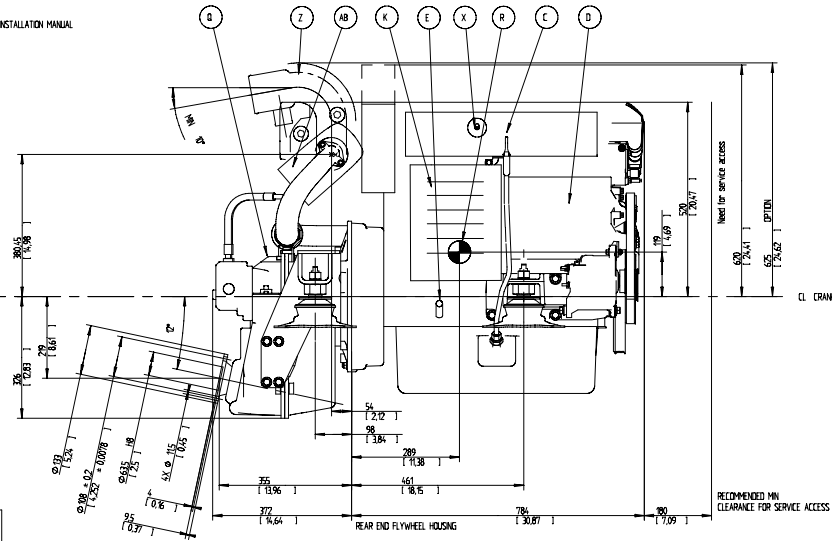
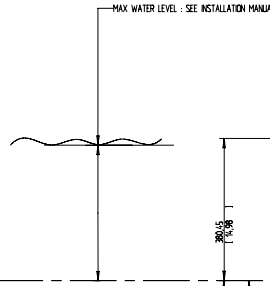
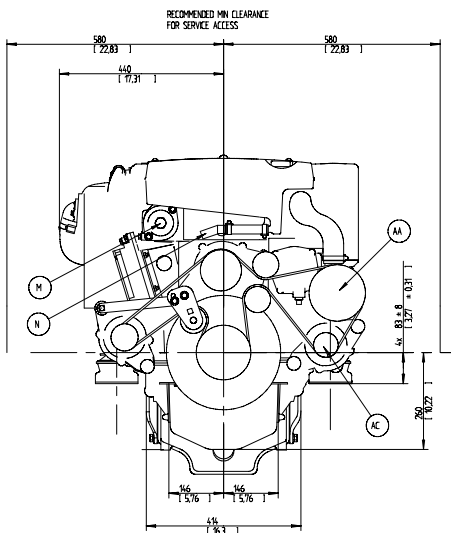


- (A) WATER FILLER CAP, FRESH WATER
- (B) OIL FILLER CAP, ENGINE
- (C) OIL DIPSTICK, ENGINE LEFT OR RIGHT SIDE MOUNTED
- (D) ENGINE CONTROL UNIT
- (E) OIL DRAIN (WITH PUMP), ENGINE Ø125
- (F) OIL FILTER MAIN
- (G) OIL FILTER BYPASS
- (H) LIFTING EYE
- (I) WATER DRAIN, FRESH WATER
- (J) WATER DRAIN, SEA WATER
- (K) AIR FILTER
- (L) FUEL FILTER
- (M) HOT WATER OUTLET
- (N) HOT WATER INLET
- (P) SEA WATER INLET Ø38
- (Q) OIL DIPSTICK REVERSE GEAR
- (R) CENTRE OF GRAVITY
- (T) OIL FILTER AND OIL SUCTION REVERSE GEAR
- (U) FUEL INLET CONNECTION
- (V) FUEL RETURN TO TANK
- (X) ENGINE STOP
- (Y) CRANKCASE VENTILATION
- (Z) EXHAUST RISER Ø 102 (4") OPTIONAL
- (AA) SEA WATER PUMP
- (AB) EXHAUST ELBOW Ø102 (4")
- (AC) EXTRA ALTERNATOR



SCALE 1:5

| | | |
|---|---|----|
| 3521860-01 - Hieruntergeleadert vom www.volvopenta.com-20.02.2008-16:17:16 In every dimension and every part, the engine shall be checked to be in accordance with the drawings. The engine shall be checked to be in accordance with the drawings. The engine shall be checked to be in accordance with the drawings. | SYMBOLS: STANDARD AND SPECIAL MARKING SHALL BE USED ONLY ON DIMENSIONS. | |
| | | |
| ENGINE DA / 1563V DISPOSITION DRAWING | 3521860 | 01 |