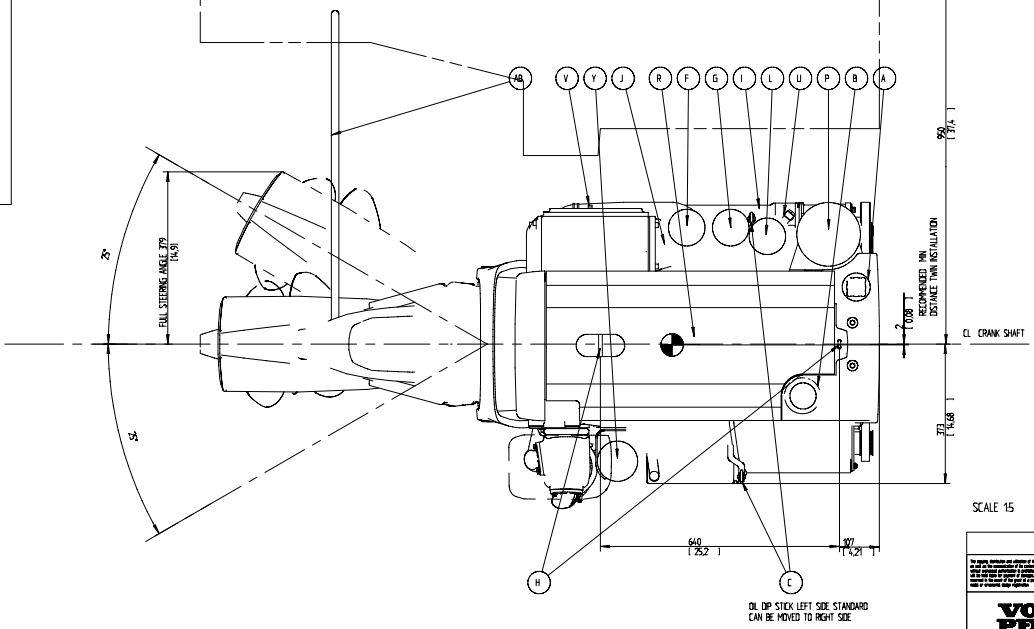
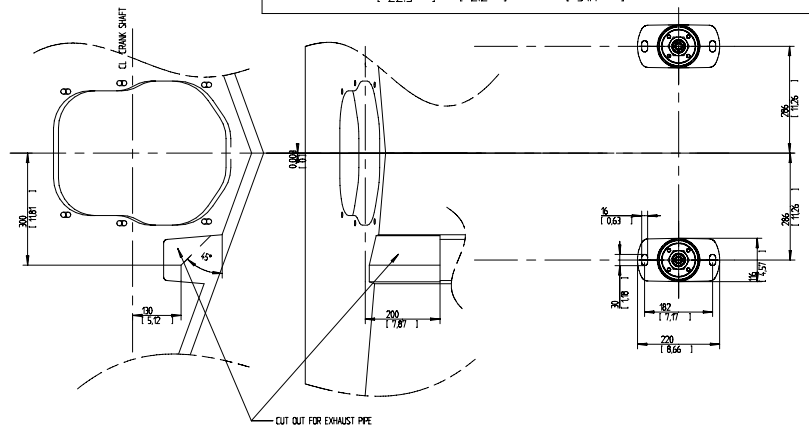
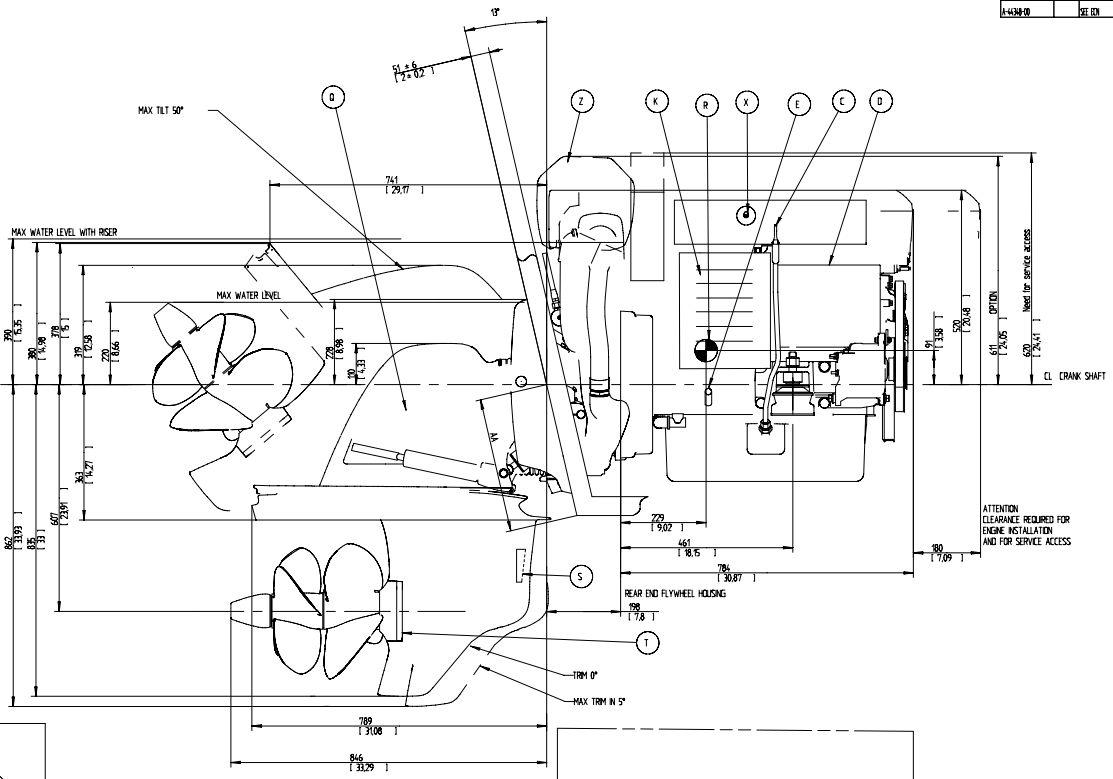
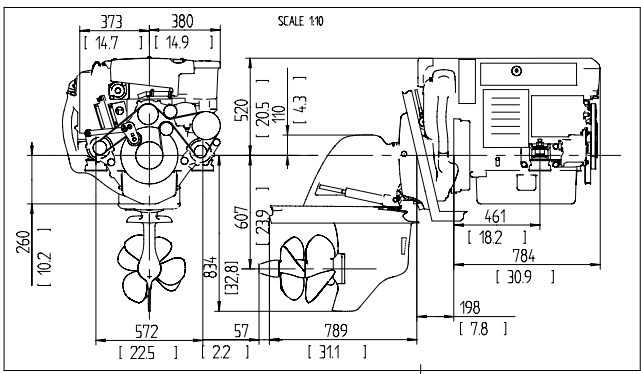
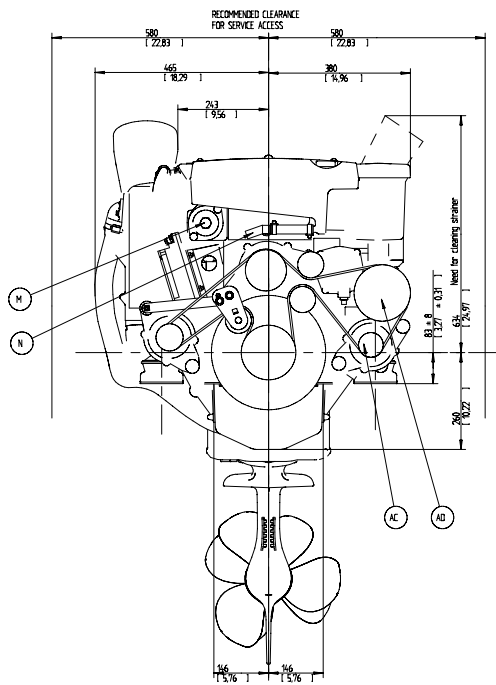


- (A) WATER FILLER CAP, FRESH WATER
- (B) OIL FILLER CAP, ENGINE
- (C) OIL DIP STICK, ENGINE LEFT OR RIGHT SIDE MOUNTED
- (D) ECU CONTROL UNIT
- (E) OIL DRAIN (WITH PPE), ENGINE ϕ 25
- (F) OIL FILTER MAN
- (G) OIL FILTER BYPASS
- (H) LIFTING EYE
- (I) WATER DRAIN, FRESH WATER
- (L) WATER DRAIN, SEA WATER
- (K) AIR FILTER
- (L) FUEL FILTER
- (M) HOT WATER OUTLET ϕ 16
- (N) HOT WATER INLET ϕ 16
- (P) STRAINER SEA WATER
- (Q) OIL DIP STICK DRIVE GUNDER COVER
- (R) CENTRE OF GRAVITY
- (S) WATER INLET DRIVE
- (T) OIL DRAIN DRIVE (BEHIND ADAPTER)
- (U) FUEL INLET CONNECTION ϕ 10
- (V) FUEL RETURN TO TANK ϕ 10
- (X) ENGINE STOP
- (Y) CRANK CASE VENTILATION
- (Z) EXHAUST RISER ϕ 102 (4" OPTION)
- AA X-MEASUREMENT SEE 7742299-6
- AB TE BAR (TWIN INSTALLATION)
- AC EXTRA ALTERNATOR (OPTION)
- AD SEA WATER PUMP



SCALE 1:5

OIL DIP STICK LEFT SIDE STANDARD CAN BE MOVED TO RIGHT SIDE

| | |
|---|-----------|
| <p>SMALL SYMBOLS AND OTHER MARKS ON THIS DRAWING ARE DEFINED IN THE LEGEND ON PAGE 2 OF THIS DRAWING.</p> | |
| <p>ENGINE DA / AQ-DRIVE DP-H</p> | |
| <p>PROVISION DRAWING</p> | |
| <p>3521862</p> | <p>01</p> |

3521862-01 - Hieruntergeladen von www.volvo-penta.com-20.02.2008 16:22:05