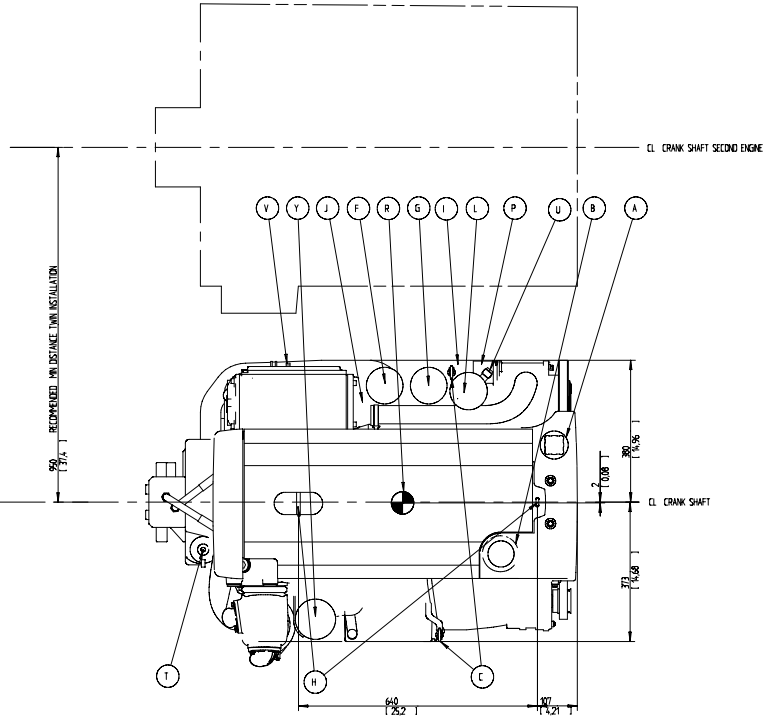
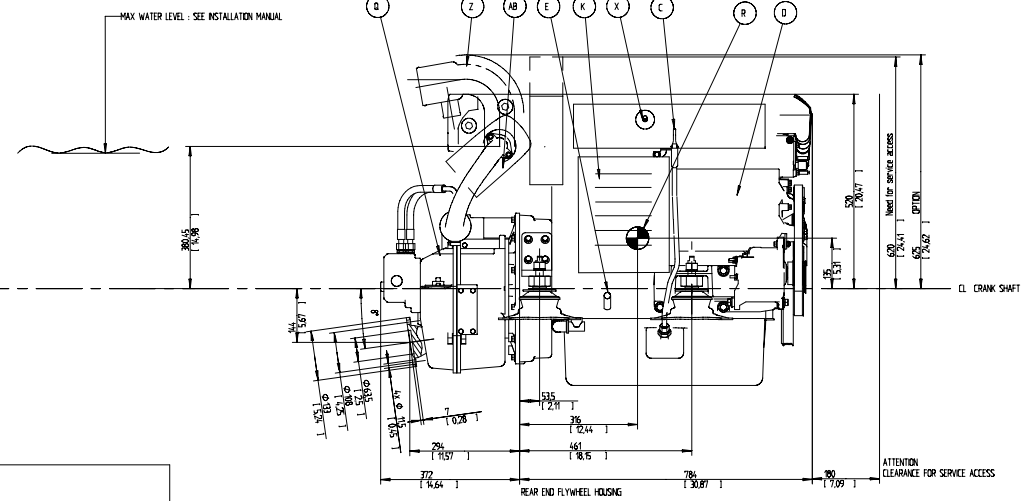
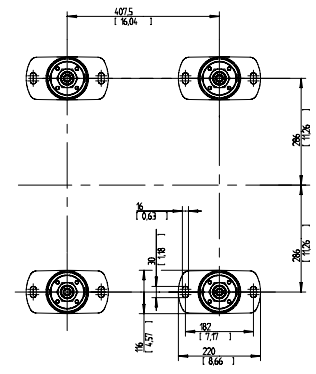
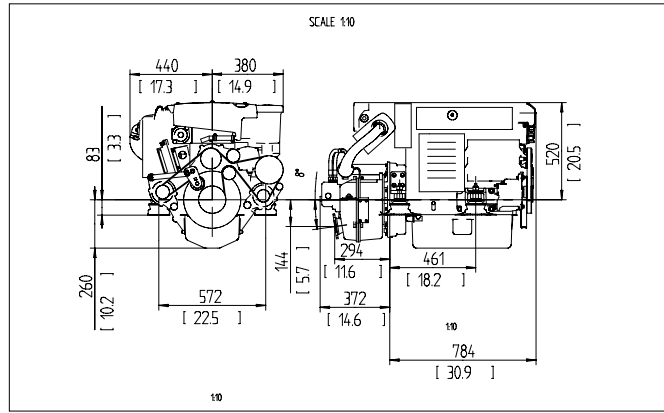
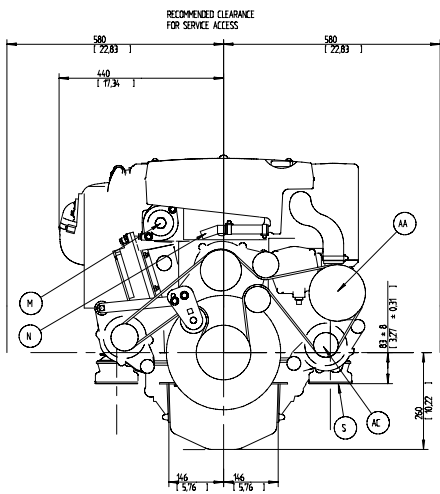


- (A) WATER FILLER CAP, FRESH WATER
- (B) OIL FILLER CAP, ENGINE
- (C) OIL DIP STICK, ENGINE LEFT OR RIGHT SIDE MOUNTED
- (D) ECU CONTROL UNIT
- (E) OIL DRAIN (WITH PUMP), ENGINE Ø125
- (F) OIL FILTER MAIN
- (G) OIL FILTER BYPASS
- (H) LIFTING EYE
- (J) WATER DRAIN, FRESH WATER
- (Y) WATER DRAIN, SEA WATER
- (K) AIR FILTER
- (L) FUEL FILTER
- (M) HOT WATER OUTLET
- (N) HOT WATER INLET
- (P) SEA WATER INLET Ø38
- (Q) OIL DIP STICK REVERSE GEAR
- (R) CENTRE OF GRAVITY
- (S) ELASTIC SUSPENSIONS 4x
- (T) OIL FILTER AND OIL SUCTON REVERSE GEAR
- (U) FUEL INLET CONNECTION
- (V) FUEL RETURN TO TANK
- (X) ENGINE STOP
- (Y) CRANK CASE VENTILATION
- (Z) EXHAUST RISER Ø 102 (4") (OPTION)
- (AA) SEA WATER PUMP
- (AB) EXHAUST ELBOW Ø102 (4")
- (AC) EXTRA ALTERNATOR



OIL DIP STICK LEFT SIDE STANDARD CAN BE MOVED TO RIGHT SIDE

SCALE 1:5

	SYMBOLS, DIMENSIONS AND GENERAL NOTES: DIMENSIONS IN MILLIMETERS UNLESS OTHERWISE SPECIFIED. DIMENSIONS IN INCHES IN PARENTHESES. DIMENSIONS IN FEET AND INCHES IN PARENTHESES. DIMENSIONS IN METERS IN PARENTHESES. DIMENSIONS IN MILLIMETERS AND INCHES IN PARENTHESES. DIMENSIONS IN METERS AND FEET AND INCHES IN PARENTHESES.	
	ENGINE DA / H563AE DISPOSITION DRAWING 3591859 01	