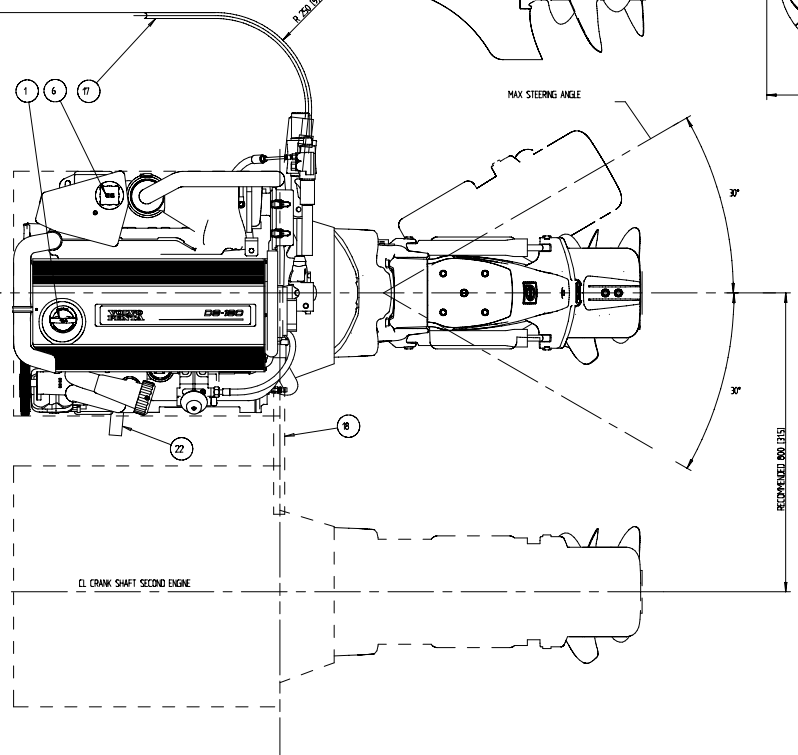


- 1 OIL FILLER CAP, ENGINE
  - 2 OIL DIPSTICK, ENGINE
  - 3 OIL DRAIN (WITH PUMP), ENGINE
  - 4 OIL FILTER
  - 5 WATER DRAIN, FRESH WATER
  - 6 WATER FILLER CAP FRESH WATER
  - 8 WATER DRAIN CHARGE AIR COOLER, SEA WATER
  - 9 WATER DRAIN HEAT EXCHANGER, SEAWATER
  - 10 FUEL FILTER
  - 11 AIR FILTER
  - 12 LIFTING DEVICE Ø21, (Ø83)
  - 13 ECU UNIT (BOAT MOUNTED)
  - 14 OIL DIPSTICK OUTBOARD DRIVE
  - 15 OIL FILL OUTBOARD DRIVE
  - 16 OIL DRAIN OUTBOARD DRIVE
  - 17 STEERING CABLE FOR POWER STEERING
  - 18 TIE BAR
  - 19 THROTTLE CABLE ATTACHMENT
  - 20 AUX STOP
  - 21 FUSE
  - 22 ECU CABLE HARNESS OUTLET L=15M (5 FEET)
  - 23 ECU CABLE HARNESS INLET
  - 24 FUEL SLECTION CONNECTION FOR HOSE ID: 95 (3/8)
  - 25 FUEL RETURN CONNECTION FOR HOSE ID: 95 (3/8)
  - 26 WATER INTAKE
  - CENTRE OF GRAVITY
- X SEE TEMPLATE 7746008  
SCALE 1:5



ECU UNIT

