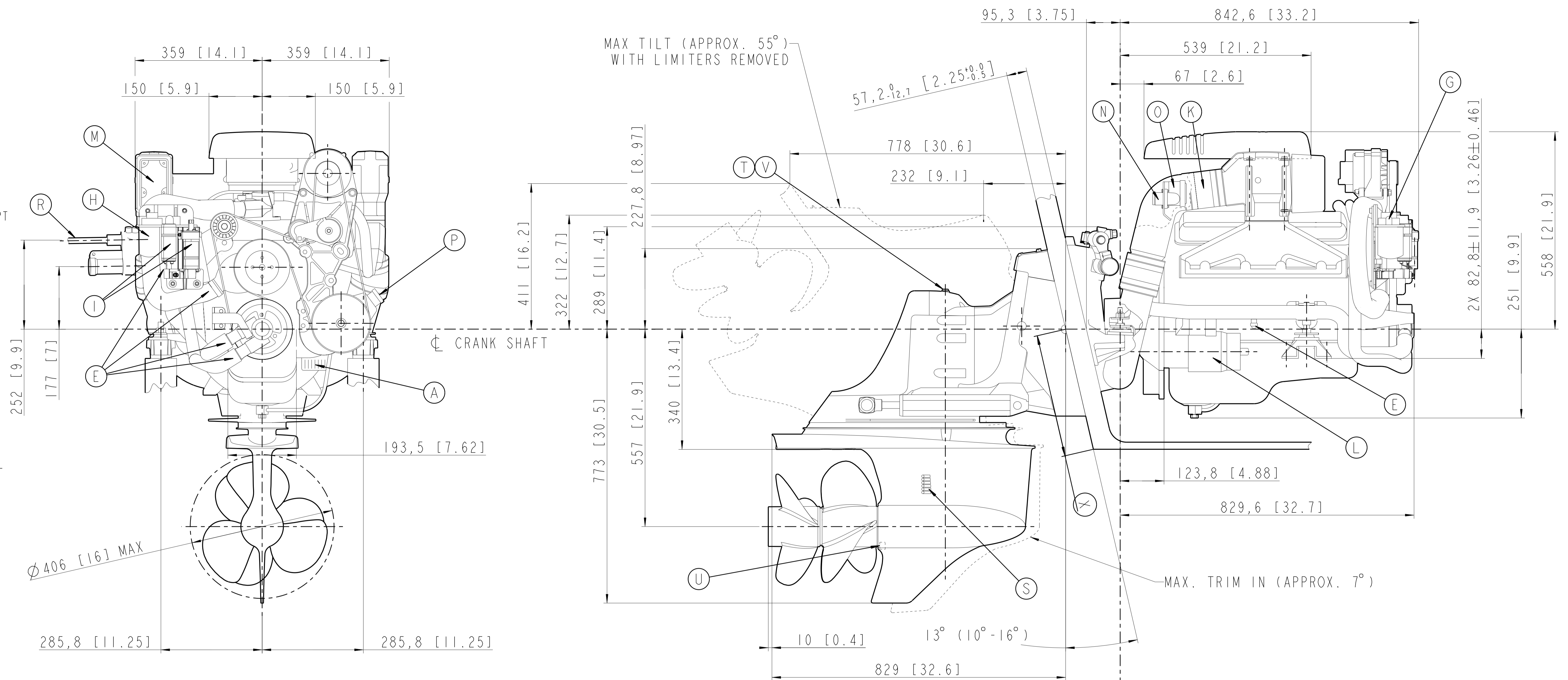
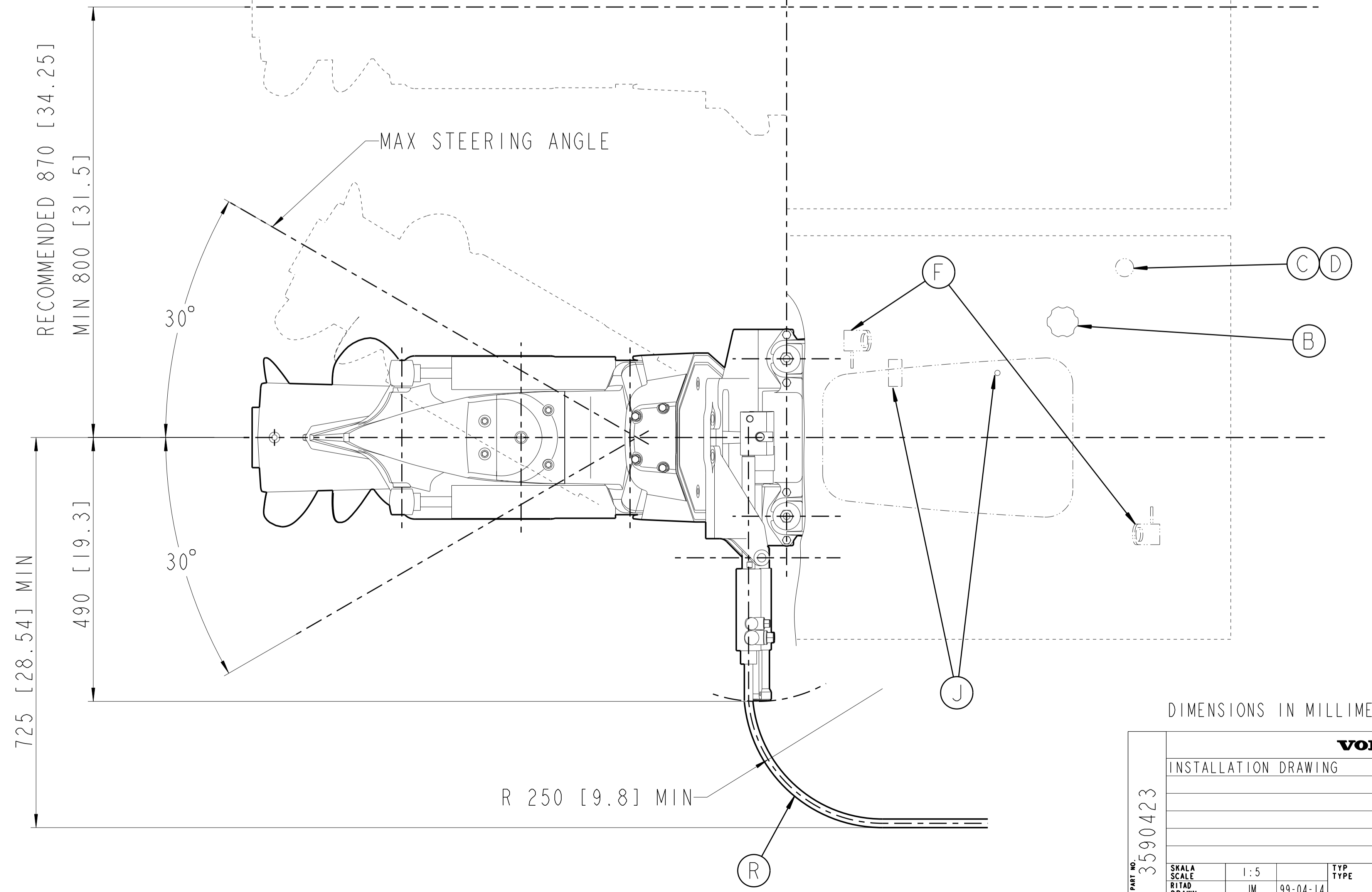
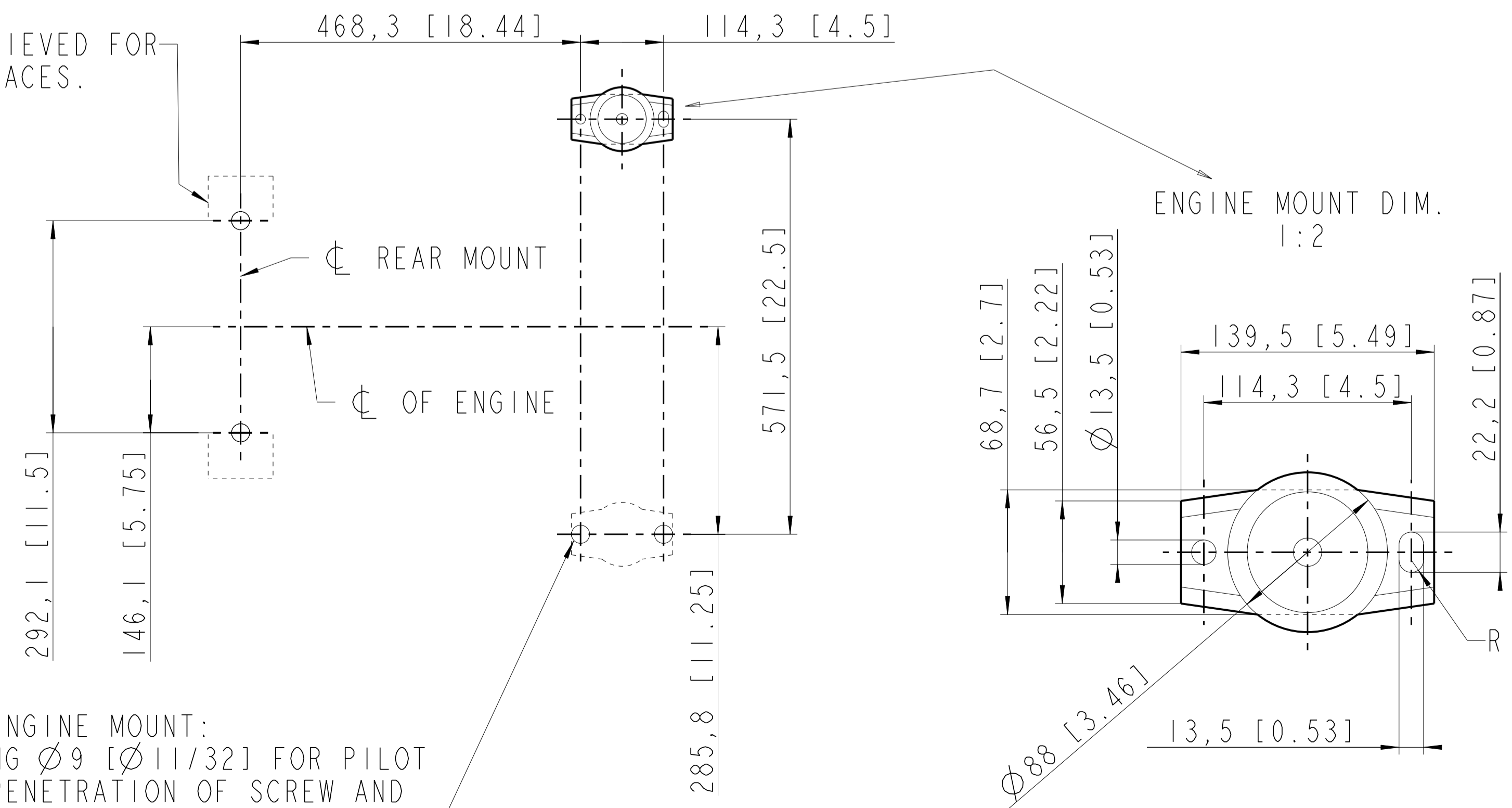


- (A) OIL FILTER, ENGINE
- (B) OIL FILL, ENGINE
- (C) OIL DRAIN, ENGINE
- (D) OIL DIPSTICK, ENGINE
- (E) WATER DRAIN
- (F) LIFTING DEVICE
- (G) FUEL CONNECTION, I.D. 9,5 [3/8] NPT OR 6.35 [1/4] NPT
- (H) FUEL FILTER
- (I) ELECTRICAL FUEL PUMP
- (J) THROTTLE CABLE SINGLE
- (K) WATER COOLED EXHAUST PIPE FOR HOSE I.D. 98,4 [3 7/8"]
- (L) STARTER MOTOR
- (M) FUSE PANEL
- (N) ELECTRICAL CONNECTION ENGINE - INSTRUMENT PANEL
- (O) ENGINE ALARM
- (P) OIL FILL AND DIPSTICK, STEERING
- (R) STEERING CABLE
- (S) WATER INTAKE
- (T) OIL FILL, OUTBOARD UNIT
- (U) OIL DRAIN, OUTBOARD UNIT
- (V) OIL DIPSTICK, OUTBOARD UNIT
- (X) SEE INSTALLATION INSTRUCTIONS



STRINGERS MAY HAVE TO BE RELIEVED FOR EXHAUST PIPE CLEARANCE. 2 PLACES.



DIMENSIONS IN MILLIMETERS AND IN [] INCHES

VOLVO PENTA			
INSTALLATION DRAWING			
PART NO.	3590423	PROJ.	
SCALE	1:5	TYP	5.0 Gi & 5.7 GSi / DPS
DRAWN	JW	DATE	99-04-14
CHECKED		BY	