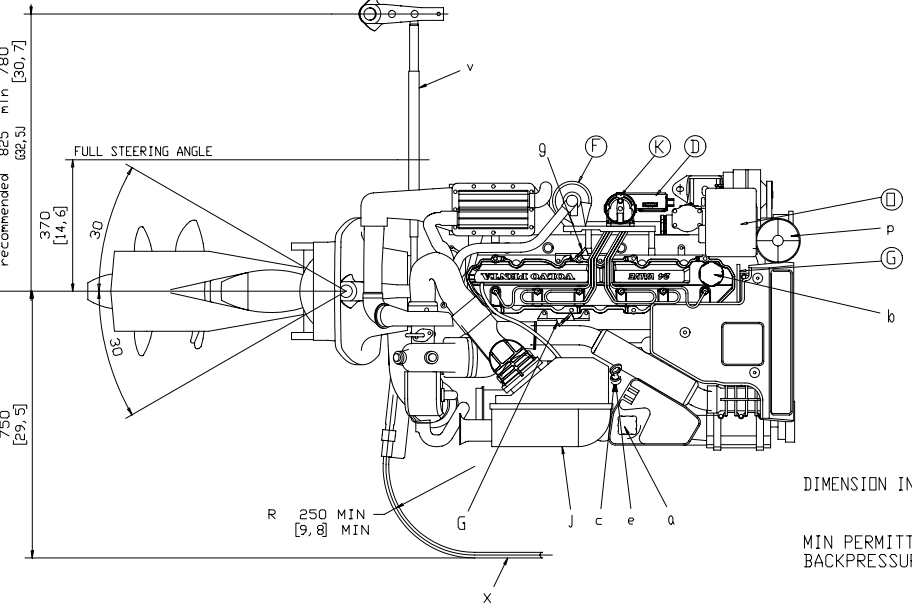
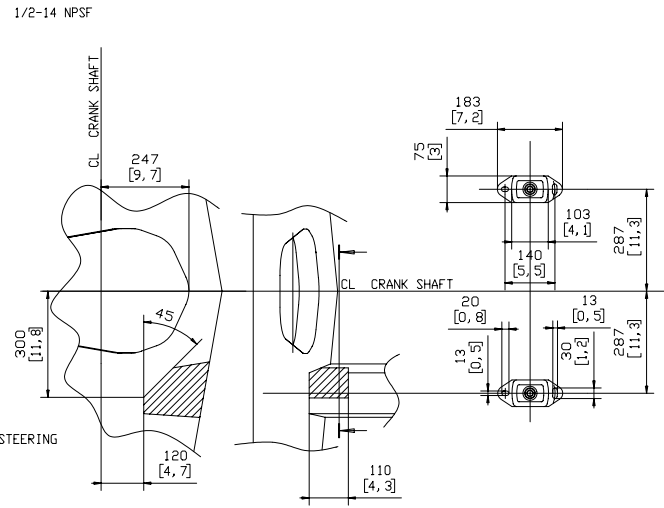
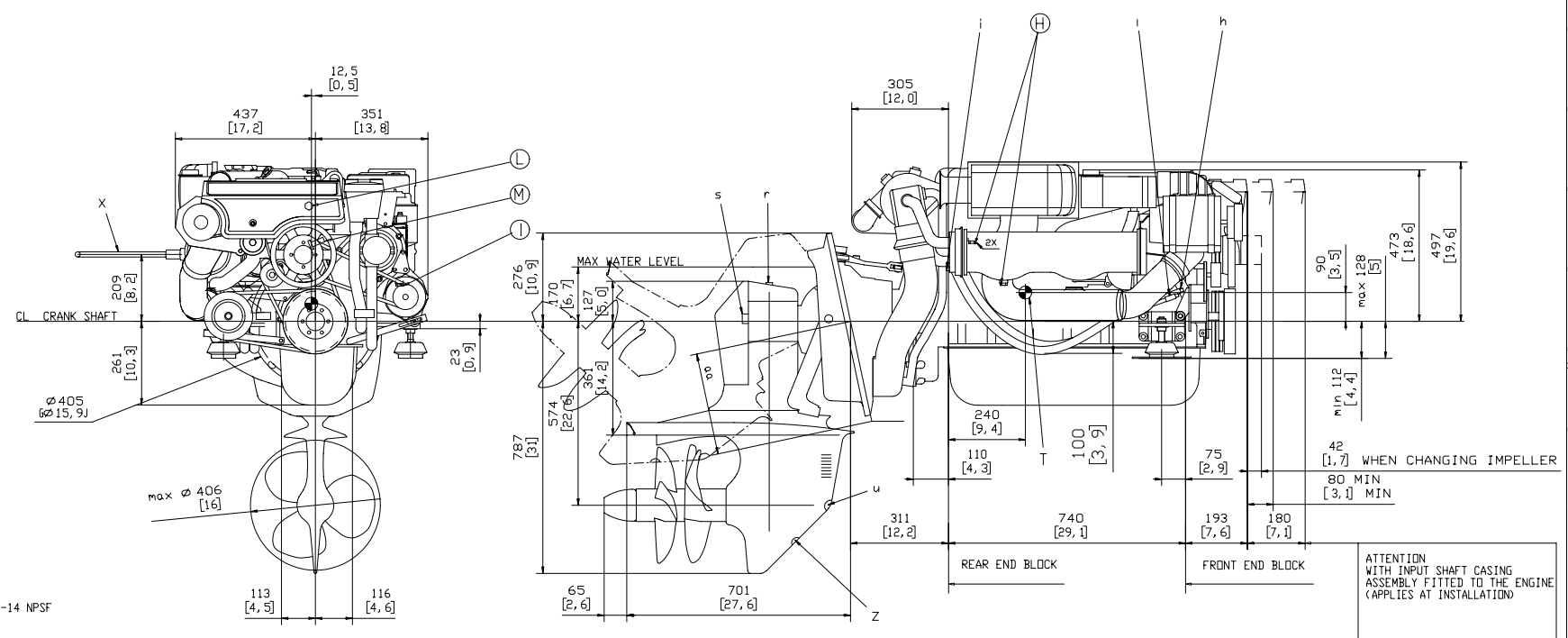


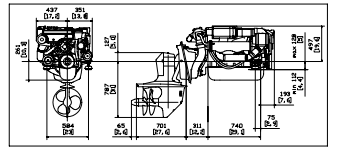
- (A) WATER FILLER CAP FRESH WATER
- (B) OIL FILLER CAP, ENGINE
- (C) OIL DIP STICK, ENGINE
- (D) CONTROLUNIT
- (E) OIL DRAIN (WITH PUMP), ENGINE
- (F) OIL FILTER
- (G) LIFTING DEVICE
- (H) WATER DRAIN, FRESH WATER
- (I) WATER DRAIN, SEA WATER
- (J) AIR FILTER
- (K) FUEL FILTER
- (L) HEAT WATER OUTLET COMPRESSION SIDE 1/2-14 NPSF
- (M) HEAT WATER OUTLET LOW SIDE 1/2-14 NPSF
- (N) CONNECTION BOX
- (P) FILTER SEA WATER
- (R) OIL DIP STICK OUTBOARD DRIVE
- (S) OIL FILTER OUTBOARD DRIVE
- (T) CENTRE OF GRAVITY
- (U) WATER INLET
- (V) TIE BAR 1140561
- (X) STEERING CABLE FOR POWER STEERING
- (Z) OIL DRAIN OUTBOARD DRIVE
- AA SEE DWG 7733849



DIMENSION IN MILLIMETRES AND INCHES

MIN PERMITTED EXHAUST BACKPRESSURE 25 kPa

SCALE 1 : 25



VOLVO PENTA			
INSTALLATION DRAWING			
NO.	REV.	DATE	BY
3590026	1	5	
TYPE	KAD 44 / DP		
DESIGNER	LM	950119	
CHECKER	PCP	970228	
APPROVED	BAND	970307	
PART NO. 3590026			REV. 03

