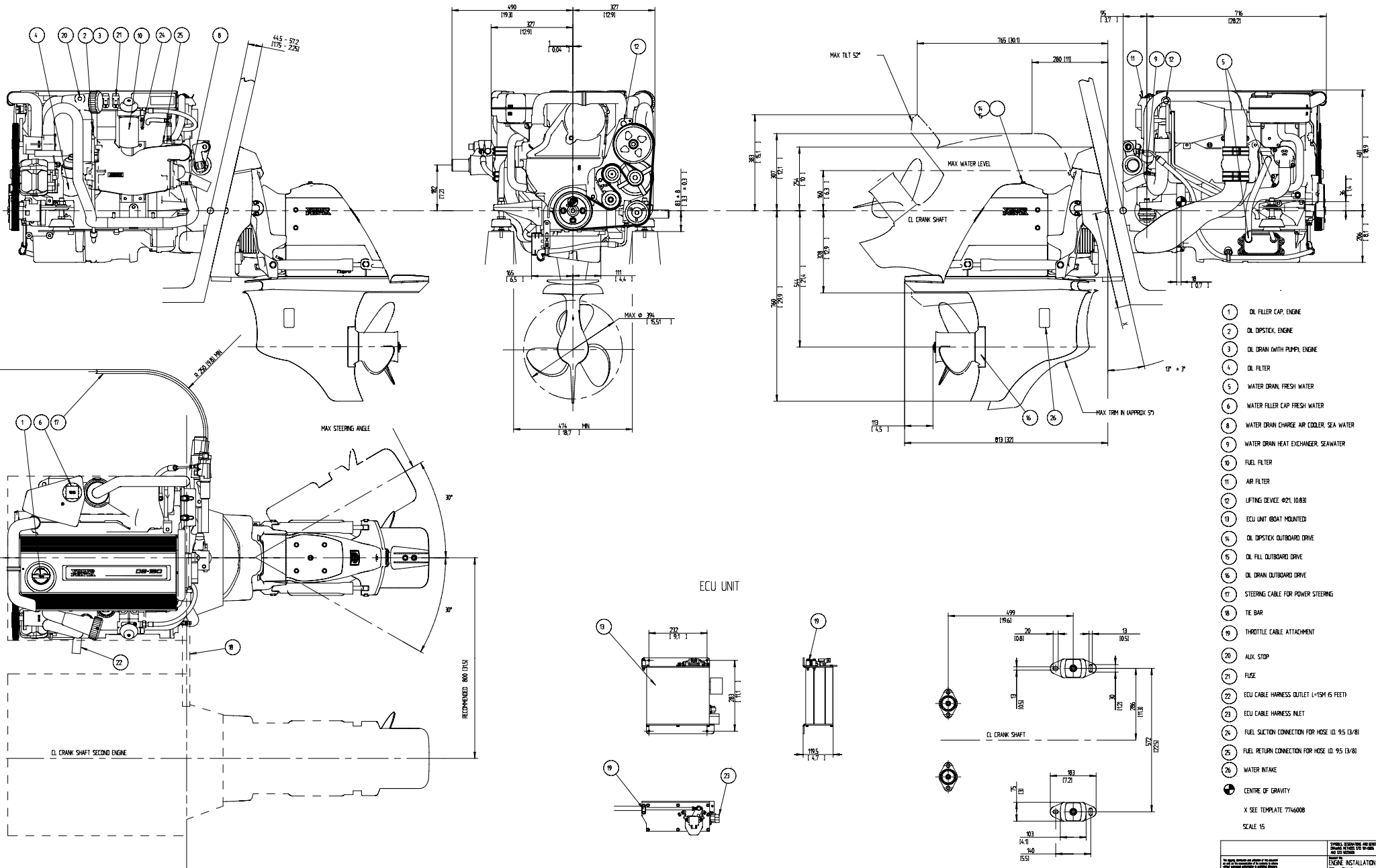


Doc No:	Eng Model:	P/A:	Doc Status:
3591629-01	5800	B 1.0	RELEASED
Date:	2008-12-22		
Author:			



- 1 OIL FILLER CAP, ENGINE
 - 2 OIL DIPSTICK, ENGINE
 - 3 OIL DRAIN (WITH PUMPI), ENGINE
 - 4 OIL FILTER
 - 5 WATER DRAIN, FRESH WATER
 - 6 WATER FILLER CAP FRESH WATER
 - 8 WATER DRAIN CHARGE AIR COOLER, SEA WATER
 - 9 WATER DRAIN HEAT EXCHANGER, SEAWATER
 - 10 FUEL FILTER
 - 11 AIR FILTER
 - 12 LIFTING DEVICE Ø21, 10,831
 - 13 ECU UNIT (BOAT MOUNTED)
 - 14 OIL DIPSTICK OUTBOARD DRIVE
 - 15 OIL FILL OUTBOARD DRIVE
 - 16 OIL DRAIN OUTBOARD DRIVE
 - 17 STEERING CABLE FOR POWER STEERING
 - 18 TIE BAR
 - 19 THROTTLE CABLE ATTACHMENT
 - 20 AUX STOP
 - 21 FUSE
 - 22 ECU CABLE HARNESS OUTLET (L=15M (5 FEET))
 - 23 ECU CABLE HARNESS INLET
 - 24 FUEL SUCTION CONNECTION FOR HOSE ID. 95 (3/8)
 - 25 FUEL RETURN CONNECTION FOR HOSE ID. 95 (3/8)
 - 26 WATER INTAKE
- CENTRE OF GRAVITY
X SEE TEMPLATE 7746008
SCALE 1:5

VOLVO PENTA		
ENGINE INSTALLATION 03 - 58-A		
INSTALLATION DRAWING		
3591629	01	19