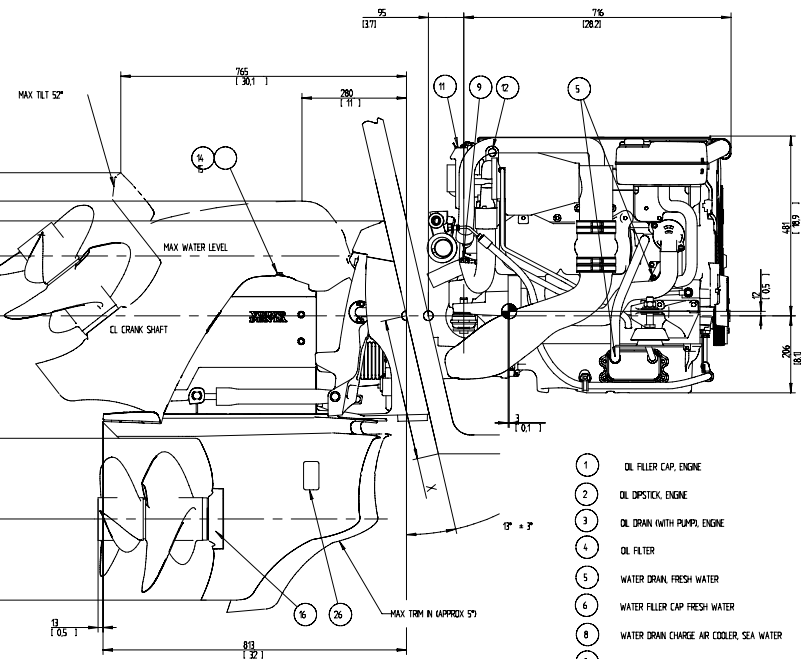
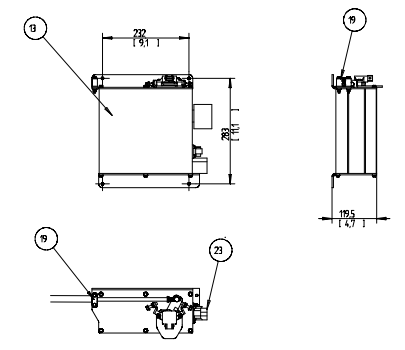
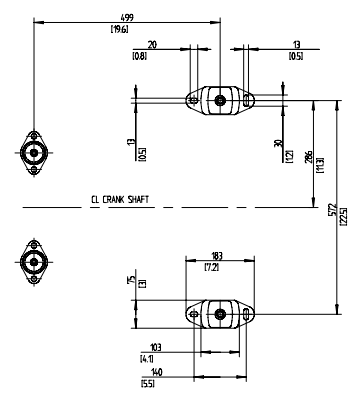


ECU UNIT



- 1 OIL FILLER CAP, ENGINE
 - 2 OIL DIPSTICK, ENGINE
 - 3 OIL DRAIN (WITH PUMP), ENGINE
 - 4 OIL FILTER
 - 5 WATER DRAIN, FRESH WATER
 - 6 WATER FILLER CAP FRESH WATER
 - 8 WATER DRAIN CHARGE AIR COOLER, SEA WATER
 - 9 WATER DRAIN HEAT EXCHANGER, SEAWATER
 - 10 FUEL FILTER
 - 11 AIR FILTER
 - 12 LIFTING DEVICE Ø21 (1083)
 - 13 ECU UNIT (BOAT MOUNTED)
 - 14 OIL DIPSTICK OUTBOARD DRIVE
 - 15 OIL FILL OUTBOARD DRIVE
 - 16 OIL DRAIN OUTBOARD DRIVE
 - 17 STEERING CABLE FOR POWER STEERING
 - 18 TIE BAR
 - 19 THROTTLE CABLE ATTACHMENT
 - 20 AUX STOP
 - 21 FUSE
 - 22 ECU CABLE HARNESS OUTLET L-15M (5 FEET)
 - 23 ECU CABLE HARNESS INLET
 - 24 FUEL SUECTION CONNECTION FOR HOSE ID: 9.5 (3/8)
 - 25 FUEL RETURN CONNECTION FOR HOSE ID: 9.5 (3/8)
 - 26 WATER INTAKE
 - CENTRE OF GRAVITY
- X SEE TEMPLATE 7746008
SCALE 1:5



3591630-01 - Heruntergeladen von www.volvopecta.com 19-02-2008 22:01:14